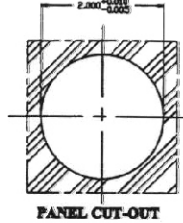
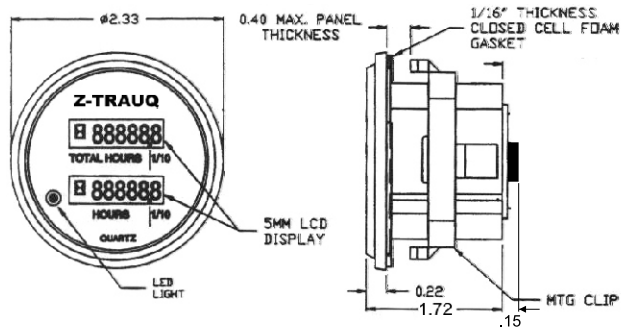
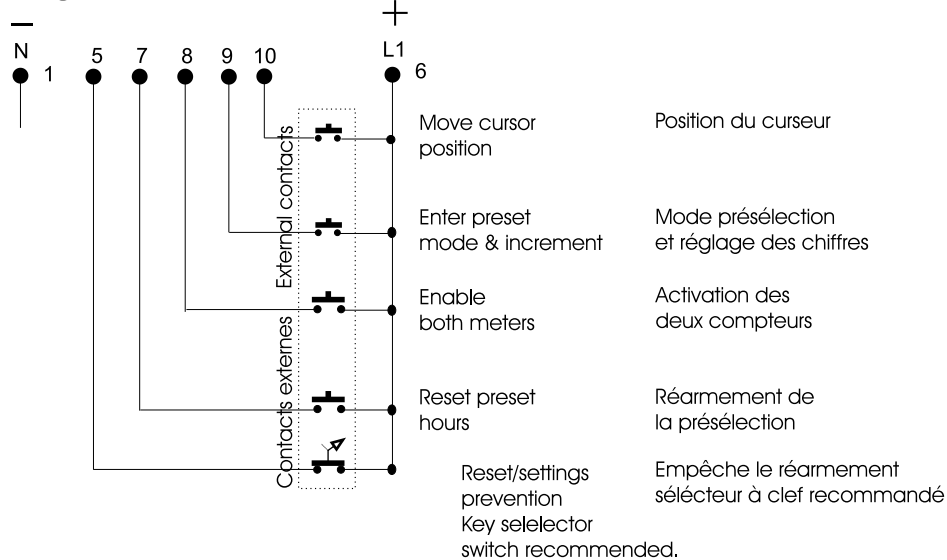


Mounting / montage



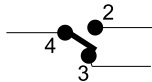
Diag.



OUTPUT / SORTIE

0.2A @ 40vdc or 265vac

0.2A @ 40vcc ou 265vca



Supply: 85 - 265vac, 50/60Hz or

10 - 40vdc depending on model

Power Consumption: 6mA (50Ma with LED and relay in operation)

Operating Temperature: -25 °C to + 85°C

Enclosure: Nema 5 gasket and sealed cover

Alimentation: 85 - 265vca 50/60Hz ou

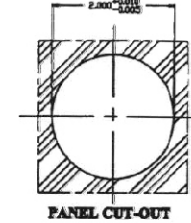
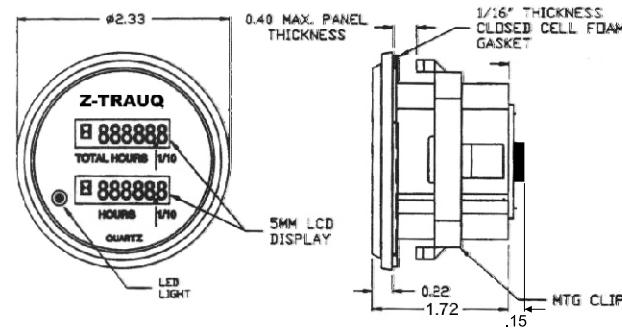
10 - 40vcc selon le modèle

Consommation: 6mA (50Ma avec DEL et relais en opération)

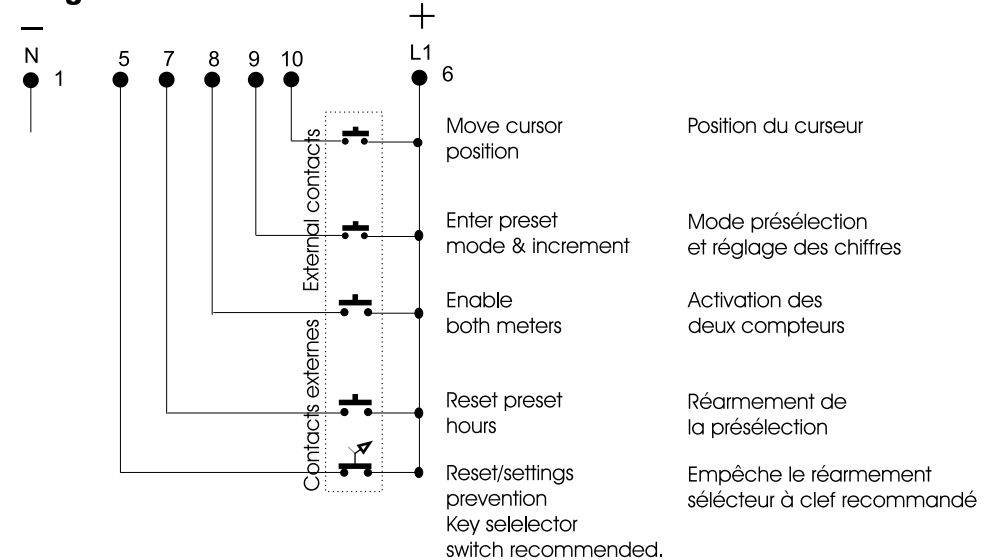
Température: - 25°C à + 85°C

Etanchéité: Nema 5 rondelle et couvercle scellé

Mounting / montage



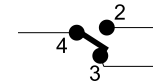
Diag.



OUTPUT / SORTIE

0.2A @ 40vdc or 265vac

0.2A @ 40vcc ou 265vca



Supply: 85 - 265vac, 50/60Hz

Power Consumption: 6mA (50Ma with LED and relay in operation)

Operating Temperature: -25 °C to + 85°C

Enclosure: Nema 5 gasket and sealed cover

Alimentation: 85 - 265vca 50/60Hz

Consommation: 6mA (50Ma avec DEL et relais en opération)

Température: - 25°C à + 85°C

Etanchéité: Nema 5 rondelle et couvercle scellé